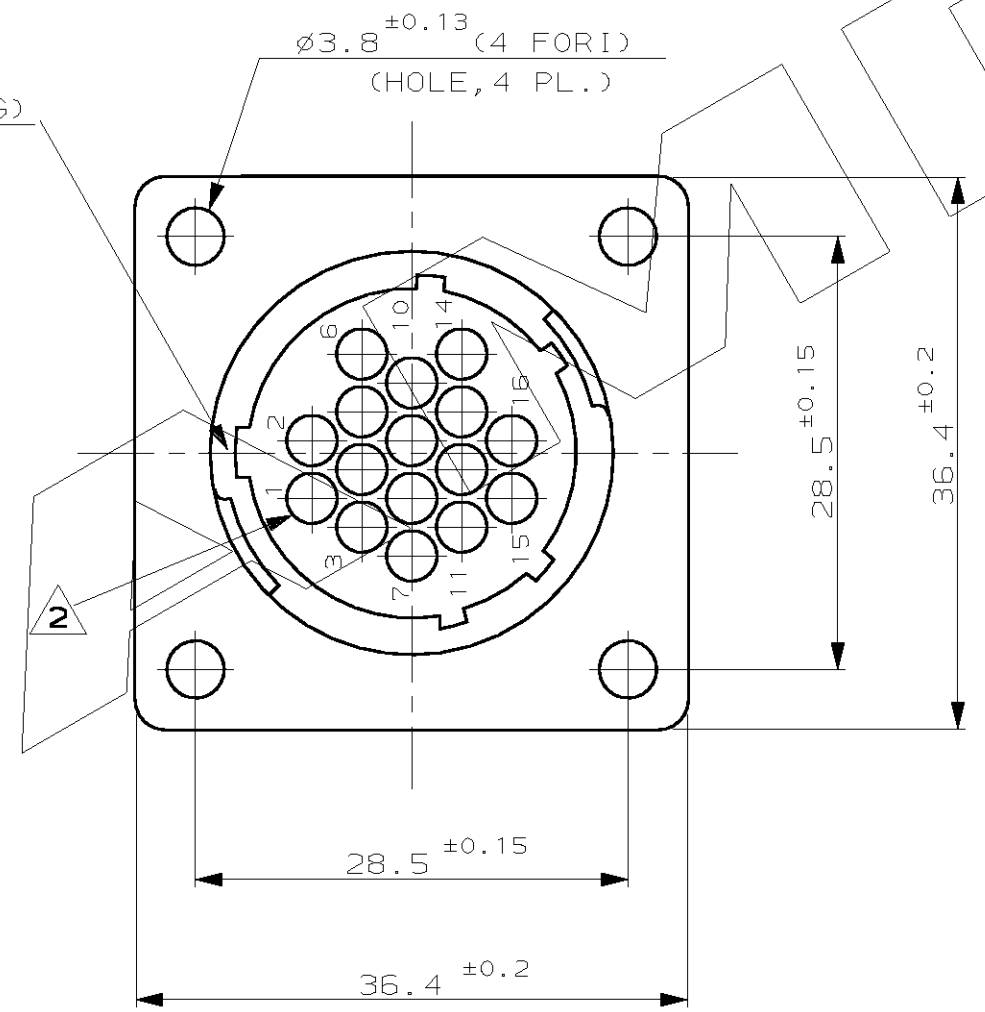


POLARIZZAZIONE (KEYING)



NOTE (NOTES)

- MATERIALE (MATL.): TERMOPLASTICO COLORE NERO (THERMOPLASTIC, BLACK COLOR).
- OGNI CAVITA' E' IDENTIFICATA DAL NUMERO POSTO SIA SUL FRONTE CHE SUL RETRO DEL CONNETTORE. (CONTACT CAVITIES IDENTIFIED BY CHARACTERS)
- QUESTO CONNETTORE E' APPROVATO CON FILE N.E28476 E CERTIFICATO CON FILE N.LR7189A-259 (THIS CONNECTOR IS RECOGNIZED BY FILE N.E28476 AND CERTIFIED BY FILE N.LR7189A-259)

IL DISEGNO INDICA IL P.N. 182916-1 (P.N. 182916-1 AS SHOWN)

		CUSTOMER DRAWING FOR REFERENCE ONLY		DISEGNO PER CLIENTE SOLO PER RIFERIMENTO	
		THIS DRAWING IS UNPUBLISHED		RELEASE FOR PUBLICATION 1991	
		© COPYRIGHT 19 BY AMP INCORPORATED, HARRISBURG, PA. ALL INTERNATIONAL RIGHT RESERVED. AMP PRODUCTS MAY BE COVERED BY U.S. AND FOREIGN PATENT AND/OR PATENT PENDING			
		TOLLERANZE: SE NON DIVERSAMENTE SPECIFICATO (TOLERANCES: UNLESS OTHERWISE SPECIFIED)		DIAM. ISOLANTE (INS. DIA. RANGE)	
		± 0.3		RANGO FILO (WIRE RANGE)	
		ANGOLI (ANGLES)		SCALA (SCALE)	
		± 2°		-	
		DIS. (DR.)		DESCRIZIONE (DESCRIPTION)	
		C. CORDOLA 22 JUNE 91		C.P.C. SQUARE FLANGE RECEPTACLE FOR PIN CTC.S, SIZE 17-16, STD. SEX	
B3		UPDATED PRODUCT DESCRIPTION FOR ET00-0182-02		D.C. 29 NOV 2002	
B2		REVISED ET00 0123-99		G.S. 01-08 99	
A		RELEASED		C.C. 10-91	
REV. (REV. LTR.)		REVISIONI (REVISION RECORD)		DIS. DATA (DR) (DATE)	
		99		APP. (APP.)	
				LOC. SIZE NUMERO (DWG NO)	
				I A3 C - 182916	
				REV. FOGLIO (SHEET)	
				B3 1 DI (OF) 1	

DISTRIBUZIONE (PRINT DIST.)